



Hydraulics

Piston Motors

Technical Bulletin

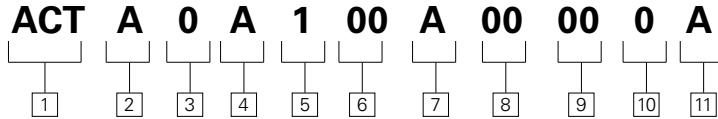
72450 Series Servo



Features

- SAE B- B, 2 Bolt Mount, Cradle Swashplate
- Bi-directional rotation
- Two-position hydraulic servo control (port plate), Hydraulic Remote control
- Auxiliary through-drive shaft available for brake mounts
- Standard SAE splined shafts, Optional taper shafts
- Same Side ports
- System pressure gauge ports
- Optional shuttle valve available

Model Codes



1 Code title

ACT - 40.6cc, (2.48 cid) Servo Controlled Variable Displacement Motor
 — - 49.2cc, (3.00 cid) Servo Controlled Variable Displacement Motor

2 Output shaft

A - 13 Tooth 1/32 spline, Shaft extension 41.4mm (1.62in)

3 Auxiliary mounting features (rear)

0 - No Auxiliary Mounting Features
A - Diameter 22.22mm (.875in) taper shaft

4 Drain port size and location

A - 1.025-12 UN-2B SAE o-ring, left and right side
B - 1.025-12 UN-2B SAE o-ring, left and right side, right side plugged
C - 1.025-12 UN-2B SAE o-ring, left and right side, left side plugged

5 Main port size and location

1 - 1.3125-12 UN-2B SAE o-ring (A&B) same side (right side)
2 - 1.3125-12 UN-2B SAE o-ring (A&B) same side (left side)

6 Control assembly

00 - No control assembly
 — - Hydraulic remote displacement control
 — - Port plate control

7 Min-Max displacements

A - 20.5-40.6 cc's (1.25-2.48 cid)
B - 22.5-40.6 cc's (1.37-2.48 cid)

8 Paint

00 - No paint
0A - Red primer paint
0B - Black paint

9 Special Features

00 - None
03 - Shuttle valve and back-pressure valve set t 15.2-17.2 Bar (220-250 PSI) rear facing S1, S2 servo control ports

10 Customer identification

0 - STD identification

11 Design code

A - First design

Displacement

cc/rev (in/rev):	40 (2.48)	49 (3.00)
---------------------	--------------	--------------

Pressure

Continuous:	210 Bar (3000 PSI)	172 Bar (2500 PSI)
Max Rated:	345 Bar (5000 PSI)	310 Bar (4500 PSI)
Max Intermittent:	345 Bar (5000 PSI)	310 Bar (4500 PSI)

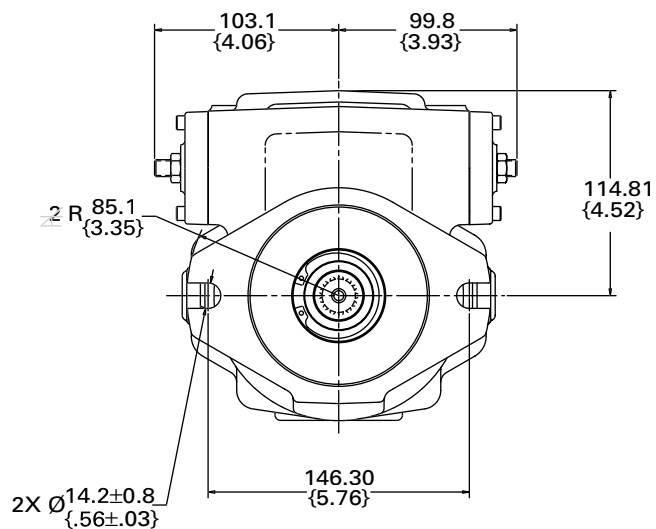
RPM rated speed

At minimum stroke angle:	4500	4500
At maximum stroke angle:	3600	3600

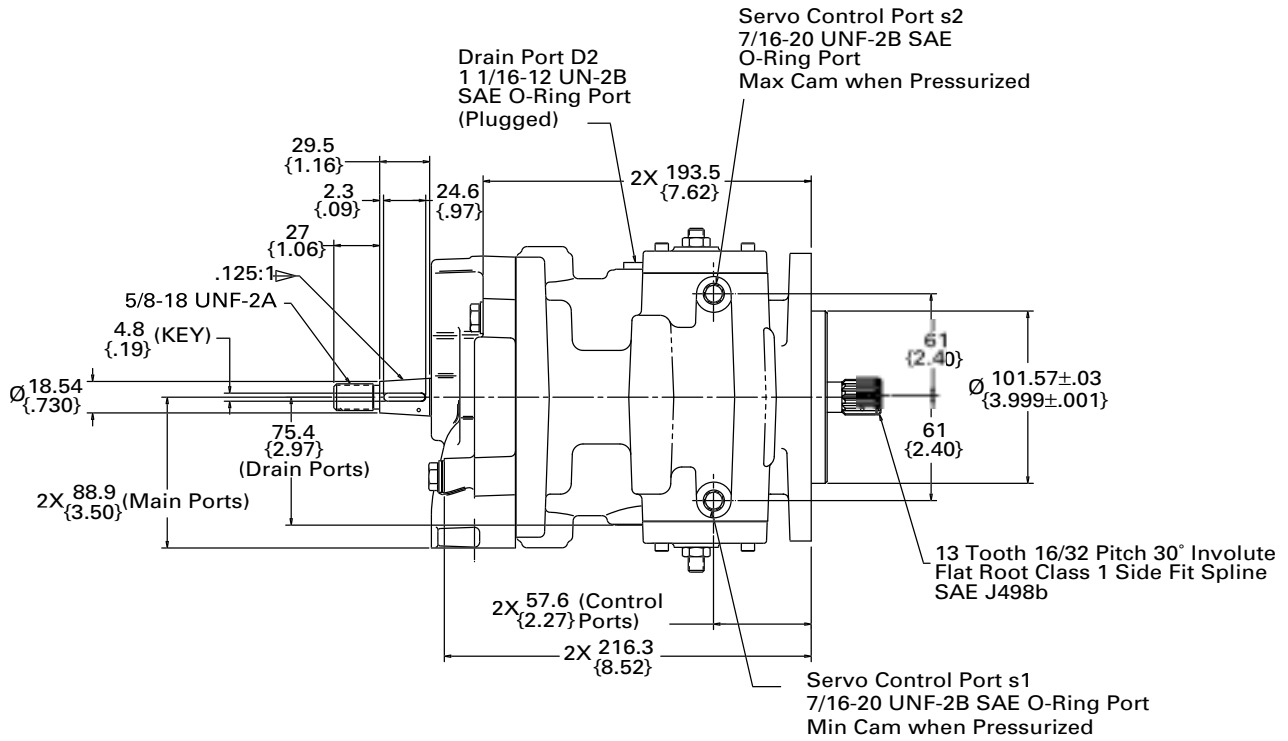
Performance

- Max closed loop temperature 107°C (225°F)
- Max allowable case pressure 1.72 Bar (25 PSI)

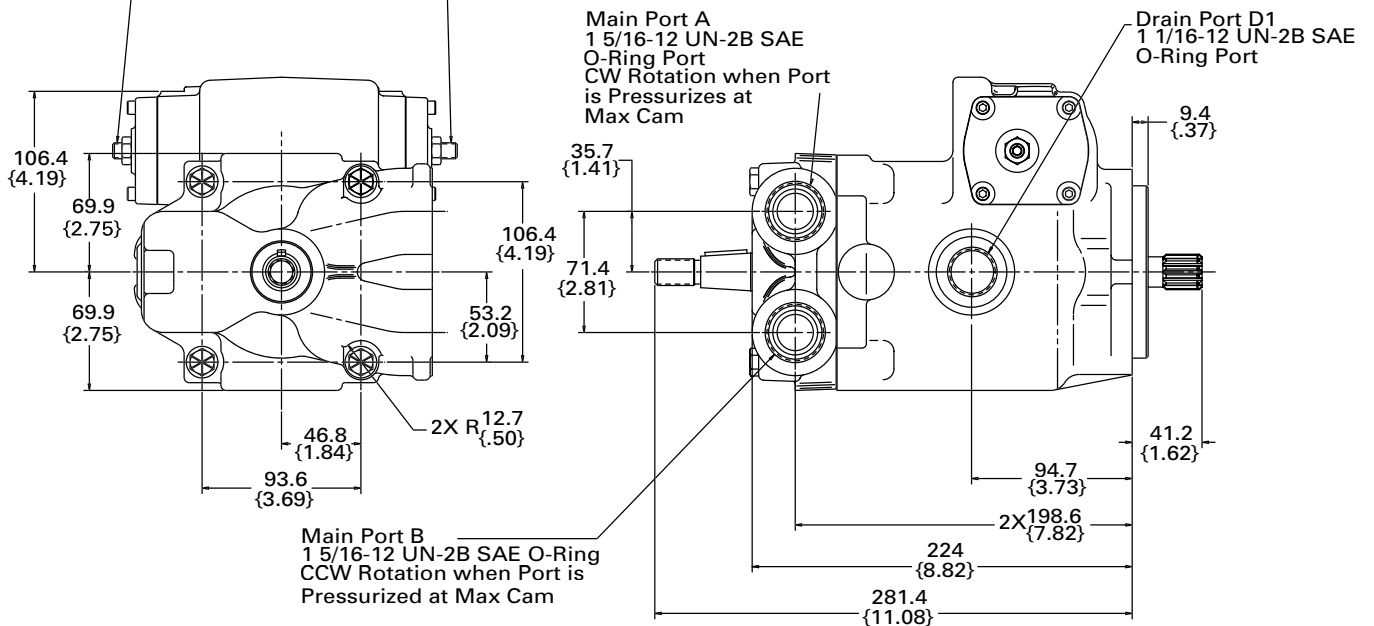
Dimensions and Installation



Motor Installation



WARNING - Do Not Attempt To Adjust Screw or Nut Tampering with Factory Settings May Void the Warranty and Cause System Failure



Typical available motors:

Side ported

Closed circuit axial piston motors

2.48 CID servo motors

2.48 CID SERVO MOTORS P/N TYPICAL MODEL CODE

72450-DAG-02	ACTA0B200B0B000B
72450-DAH-02	ACTA0A200B0B030B

PORT SIZES	WORK PORTS	DRAIN	SERVO CONTROL
SAE Tube	1.3125-12 UN-2B	1.0625-12 UN-2B	7/16-20 UNF-2B

Eaton
14615 Lone Oak Road
Eden Prairie, MN 55344
USA
Tel: 952 937-9800
Fax: 952 974-7722
www.hydraulics.eaton.com

Eaton
20 Rosamond Road
Footscray
Victoria 3011
Australia
Tel: (61) 3 9319 8222
Fax: (61) 3 9318 5714

Eaton
46 New Lane, Havant
Hampshire PO9 2NB
England
Tel: (44) 23 92 486 451
Fax: (44) 23 92 487 110



Hydraulics

© 2002 Eaton Corporation
All Rights Reserved
Printed in USA
Document No. E-MOPI-TB001-E
October 2002