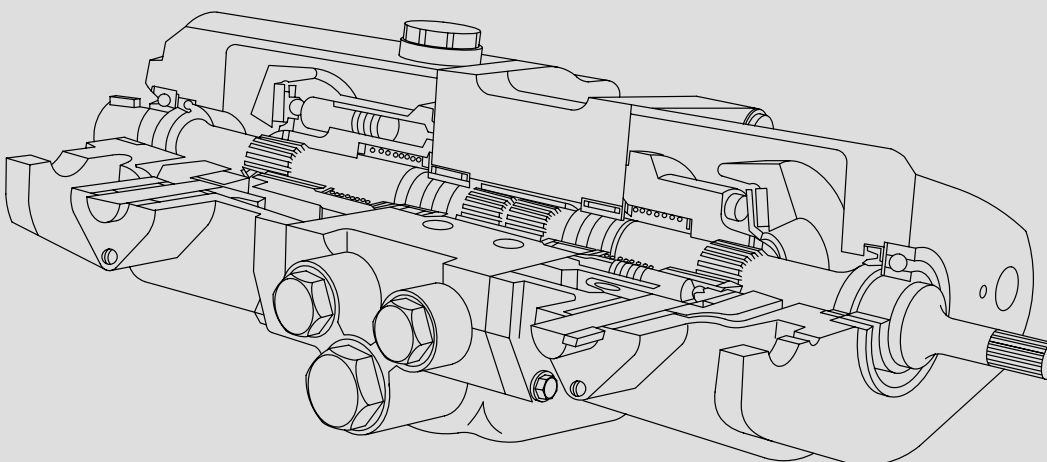




Transmission Package

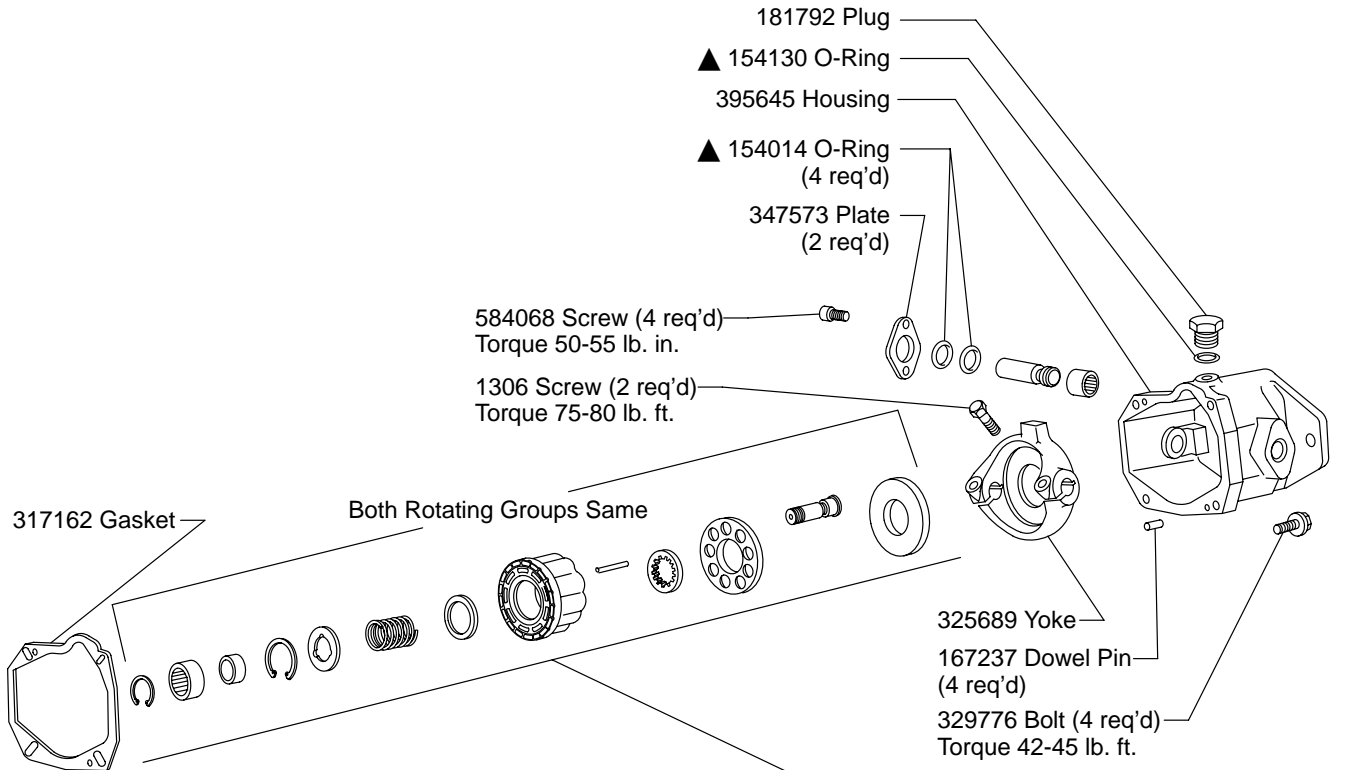
TA1515V-10/12 Design



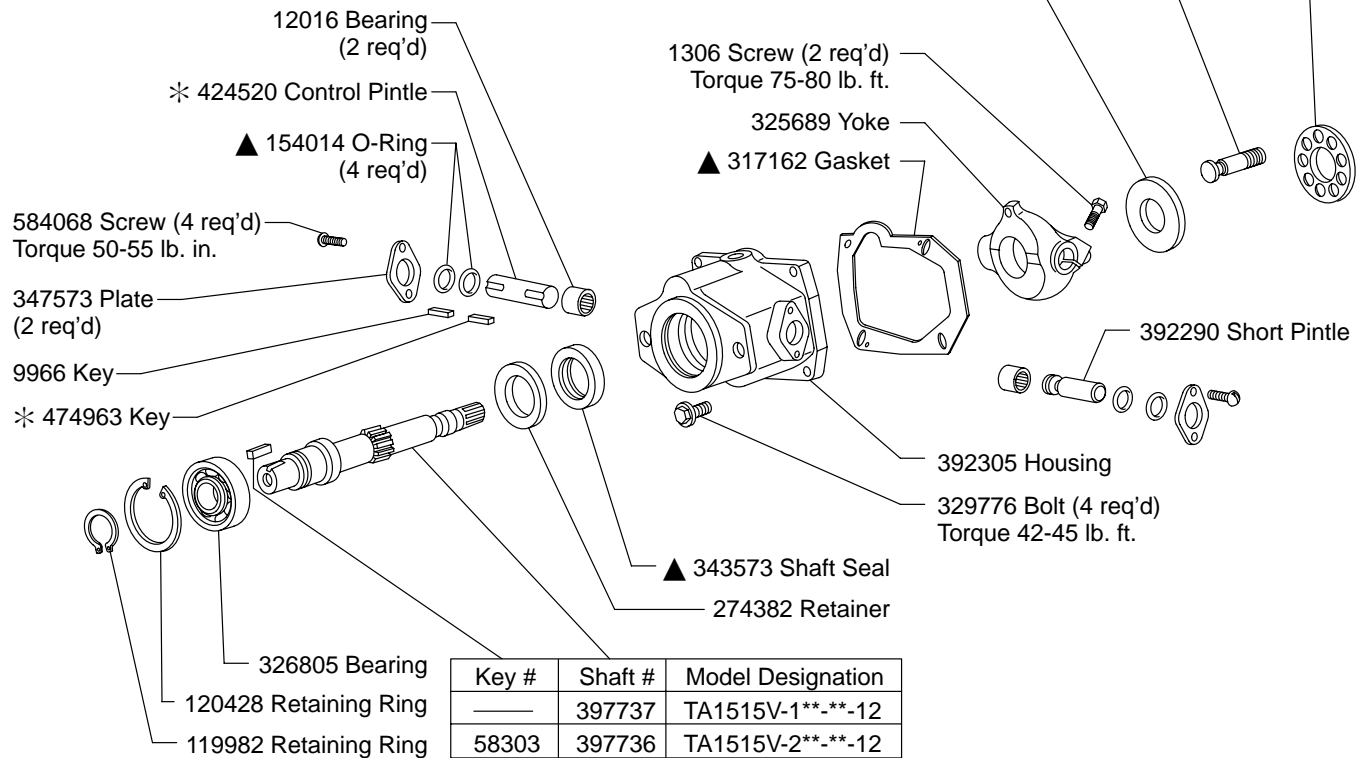
■ Included in Valve Plate S.A. Kit 923769

* Included in 942425 Pintle Kit

▲ Included in Seal Kit 923769



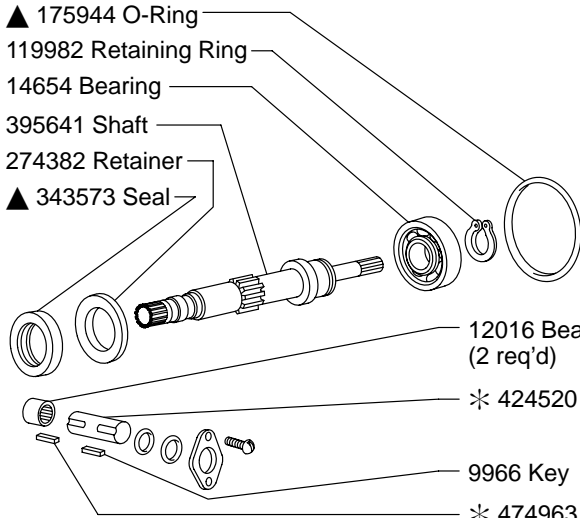
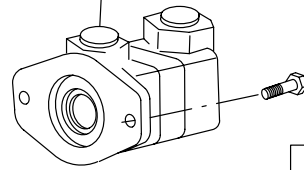
Model Designation	Swash Plate	Piston Kit (9 Pistons)	Shoe Plate
TA1515V* -12	Included In Rotating Group Kit		
	239077	941887	275961



Key #	Shaft #	Model Designation
—	397737	TA1515V-1**-**-12
58303	397736	TA1515V-2**-**-12

Refer to back page for replacement parts information

1272 Screw (2 req'd)
Torque 42-45 lb. ft.

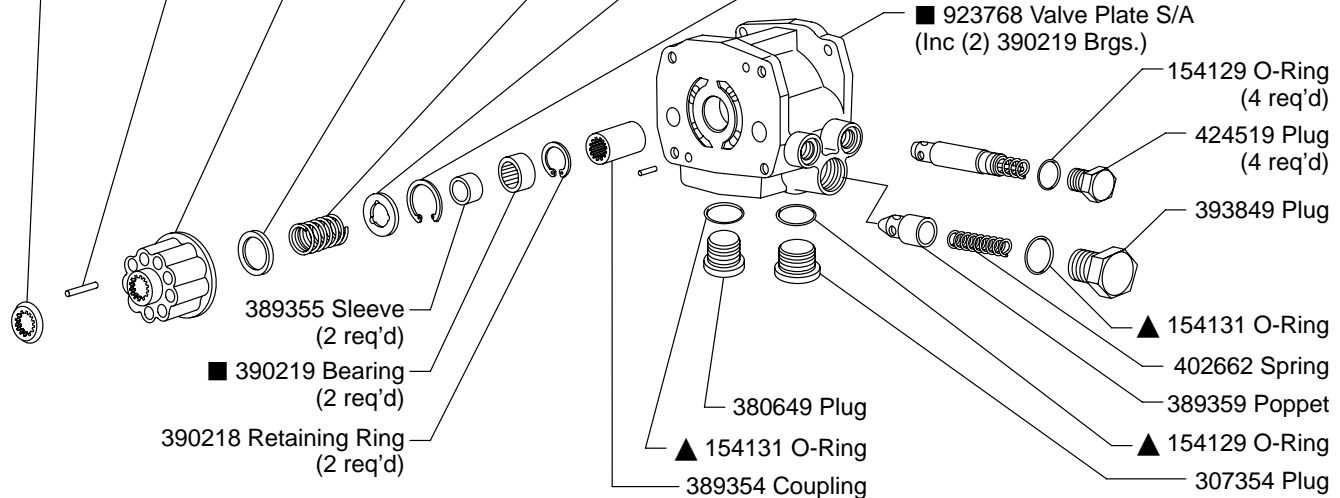


- ▲ 175944 O-Ring
- 119982 Retaining Ring
- 14654 Bearing
- 395641 Shaft
- 274382 Retainer
- ▲ 343573 Seal

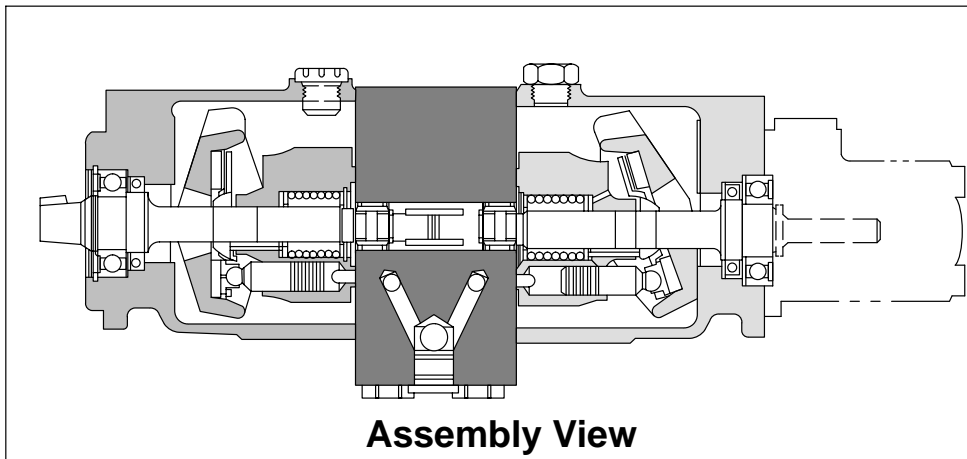
- 12016 Bearing (2 req'd)
- * 424520 Control Pintle
- 9966 Key
- * 474963 Key

PSI	S/A Prefill Check Valve (4 req'd)
2000	323822
2500	323820
3000	339490
3250	322534
3500	407323
3750	404976
4000	317180
4500	318399
4600	424527
5000	374589

Spherical Washer	Pins (3 req'd)	Cylinder Block	Thrust Washer	Spring	Limiter Washer	Ret. Ring	Rotating Group Kit
Included In Rotating Group Kit							
423324	248811	260860	241954	247294	245223	93509	923062



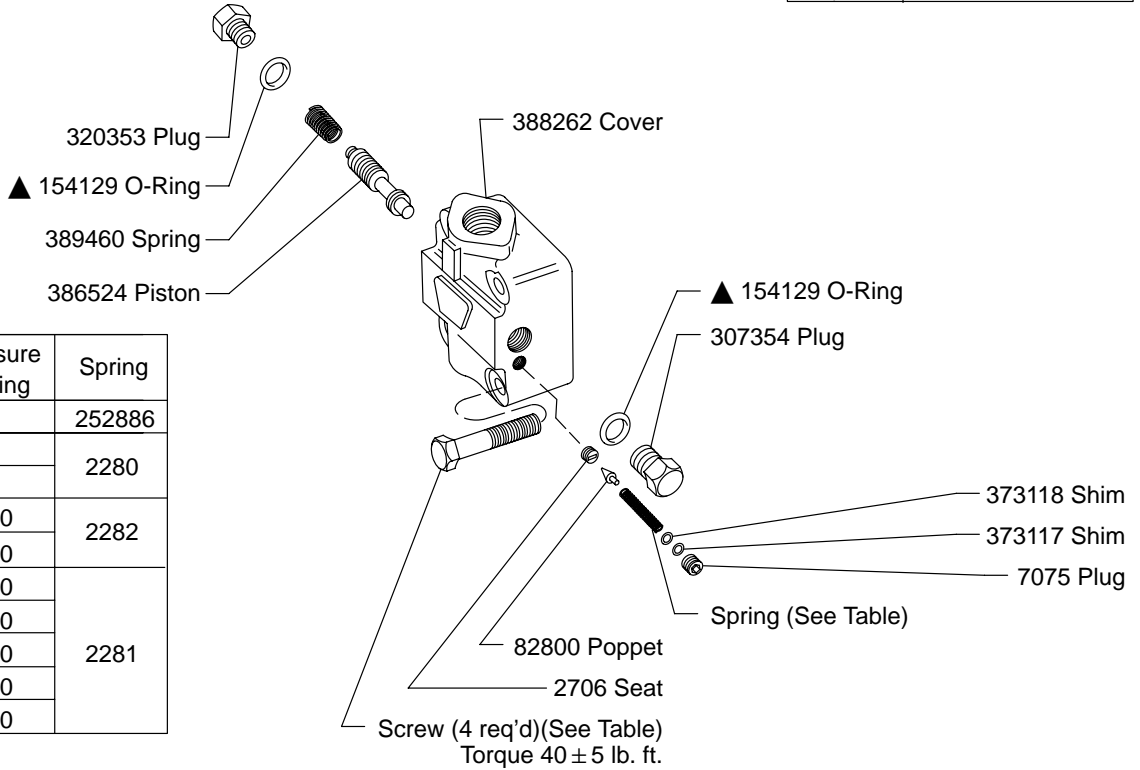
- 923768 Valve Plate S/A (Inc (2) 390219 Brgs.)
- 154129 O-Ring (4 req'd)
- 424519 Plug (4 req'd)
- 393849 Plug
- ▲ 154131 O-Ring
- 402662 Spring
- 389359 Poppet
- ▲ 154129 O-Ring
- 307354 Plug
- 389355 Sleeve (2 req'd)
- 390219 Bearing (2 req'd)
- 390218 Retaining Ring (2 req'd)
- 380649 Plug
- ▲ 154131 O-Ring
- 389354 Coupling



Assembly View

AV10P-***K-**10(L)

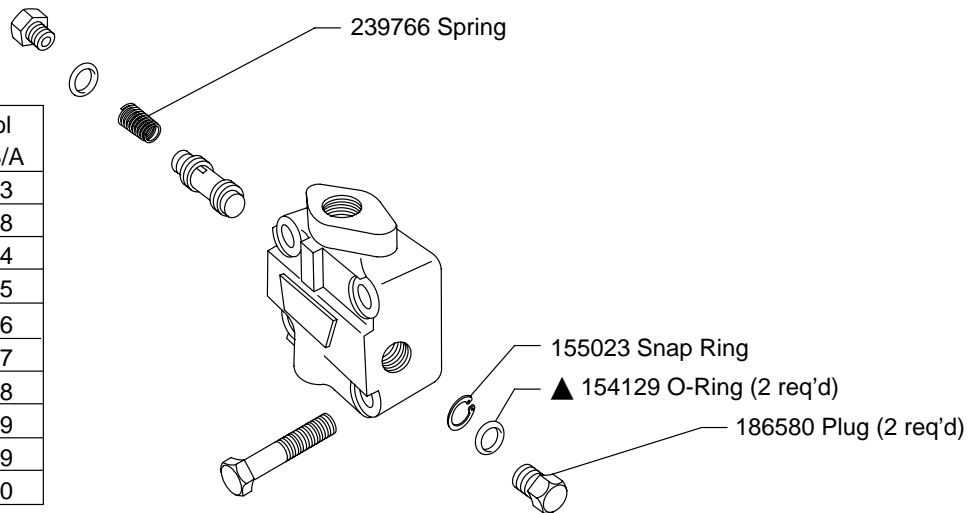
Ring Capacity	Screw (4 req'd) Torque 40±5 lb. ft.
1,2,3	432509
4,5	295344
6,7	432511



Relief Valve Setting	Pressure Setting	Spring
A	250	252886
B	500	2280
C	750	
D	1000	2282
E	1250	
F	1500	2281
G	1750	
H	2000	
J	2250	
K	2500	

AV10F-***(P)(T)-**11(L)

Cover	Outlet Port Connections
379543	P
372851	T

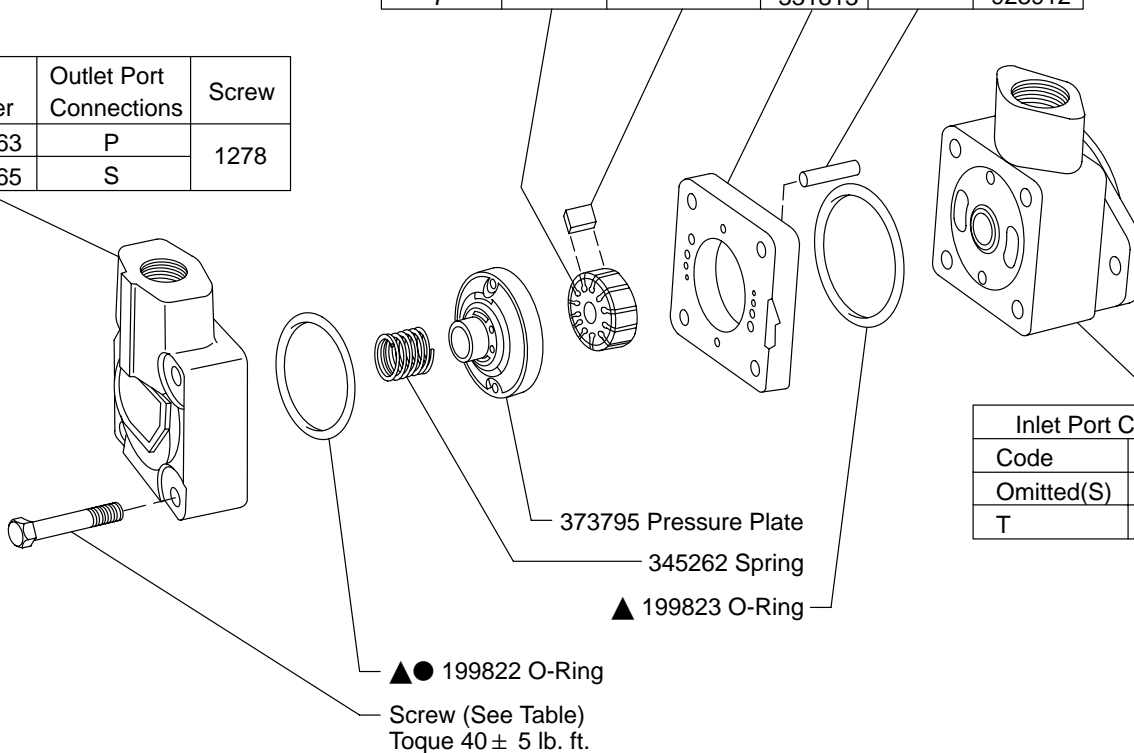


Relief Valve Setting	Pressure Setting	Control Valve S/A
A	250 PSI	229613
B	500 PSI	233018
C	750 PSI	232794
D	1000 PSI	232795
E	1250 PSI	232796
F	1500 PSI	232797
G	1750 PSI	232798
H	2000 PSI	232799
J	2250 PSI	233019
K	2500 PSI	233020

Ring Capacity	Screw (4 req'd) Torque 40±5 lb. ft.
1,2,3	432509
4,5	295344
6,7	432511

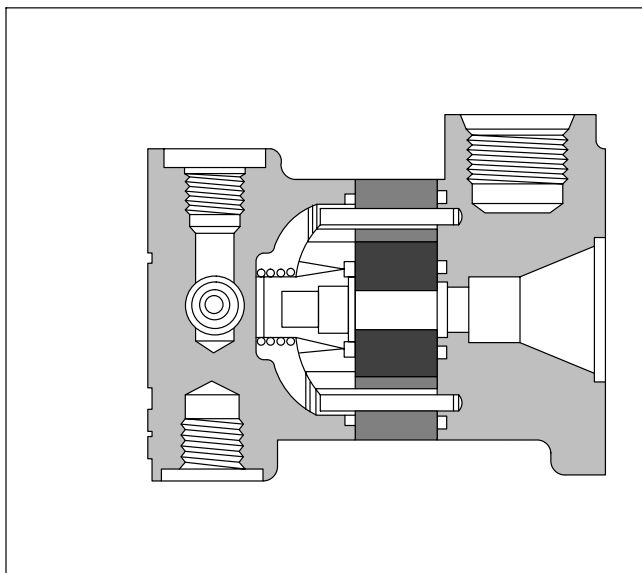
Ring Capacity USGPM	Rotor	Vane Kit (12 Vanes)	Ring	Pin	Cart. Kit
	Included in cartridge kit				
3	317681	923499	317676	231042	923496
4	417297	923500	317677	39640	—
5			317678		923928
6	417212	923501	355641	16662	—
7			331813		923912

STD Cover	Outlet Port Connections	Screw
372863	P	1278
372865	S	

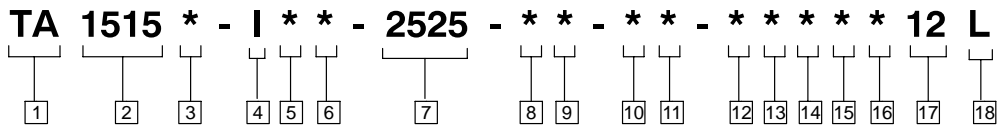


Inlet Port Connection	
Code	Body(V10)
Omitted(S)	395643
T	402652

- ▲ Included in 923548 Seal Kit
- Also included in Cartridge Kit



Model Code



1 Transmission Pump

2 Double Pump Size

15 - 15 USGPM

3 Auxiliary Pump Version

V - V10
 VF - V10 with flow control valve cover
 VP - V10 with priority cover

4 Pump Shaft Extension

1 - Splined

5 Pintle Control Options-#1 Pump

B - Double pintles
 L - Left hand
 Omit for right hand

6 Port Connections-Double Pump

S - .875-14 Straight thread omit for standard (1.0625-12 straight thread)

7 Relief Valve Setting-PSI

2525 - 2500 PSI
 25** - "A" Port
 **25 - "B" Port
 Omitted - 4500 PSI (Both ports)

8 Supercharge Inlet

1 - Left hand
 Omit for right hand

9 Pintle Control Options - #2 Pump

(Right or left hand is determined by viewing pump from input shaft end with case drain positioned upwards)
 B- Double Pintles
 L- Left Hand
 Omit for right hand

10 Inlet Port Connection-Vane Pump

P - 1 Inch NPT.
 T - 1.1875-12 straight thread
 Omit for standard (1.3125-12 Straight thread)

11 Flow Rating@1200 RPM Vane Pump

1 - 1 GPM
 2 - 2 GPM
 3 - 3 GPM
 4 - 4 GPM
 5 - 5 GPM
 6 - 6 GPM
 7 - 7 GPM

12 Vane Pump Inlet Position

C - V10F inlet 180° opposite TA1515 case drain
 A - V10F inlet in line with TA1515 case drain

13 Outlet Port Positions Vane Pump (Viewed From Cover End)

A - Opposite inlet
 B - 90° counterclockwise from inlet
 C - Inline with inlet
 D - 90° clockwise from inlet

14 Flow Rate Thru Orifice In Cover

2 - 2 GPM
 3 - 3 GPM
 4 - 4 GPM
 5 - 5 GPM
 6 - 6 GPM
 7 - 7 GPM
 8 - 8 GPM

15 Vane Pump Relief Valve Setting-PSI

A - 250 PSI
 B - 500 PSI
 C - 750 PSI
 D - 1000 PSI
 E - 1250 PSI
 F - 1500 PSI
 G - 1750 PSI
 H - 2000 PSI
 J - 2250 PSI
 K - 2500 PSI

16 Outlet Port Connection Vane Pump

Y - .875-14 straight thread
 Omit for standard (.750-16 straight thread)

17 Design

18 Shaft Rotation

L - Left hand
 Omit for right hand